

# HiFive1 Schematics

## Proprietary Notice

Copyright © 2021, SiFive Inc. All rights reserved.

HiFive1 Schematics by SiFive, Inc. is licensed under Attribution-NonCommercial-NoDerivatives 4.0 International. To view a copy of this license, visit: <http://creativecommons.org/licenses/by-nc-nd/4.0>

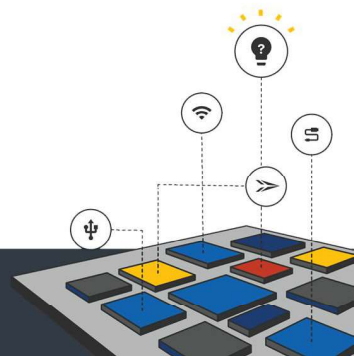
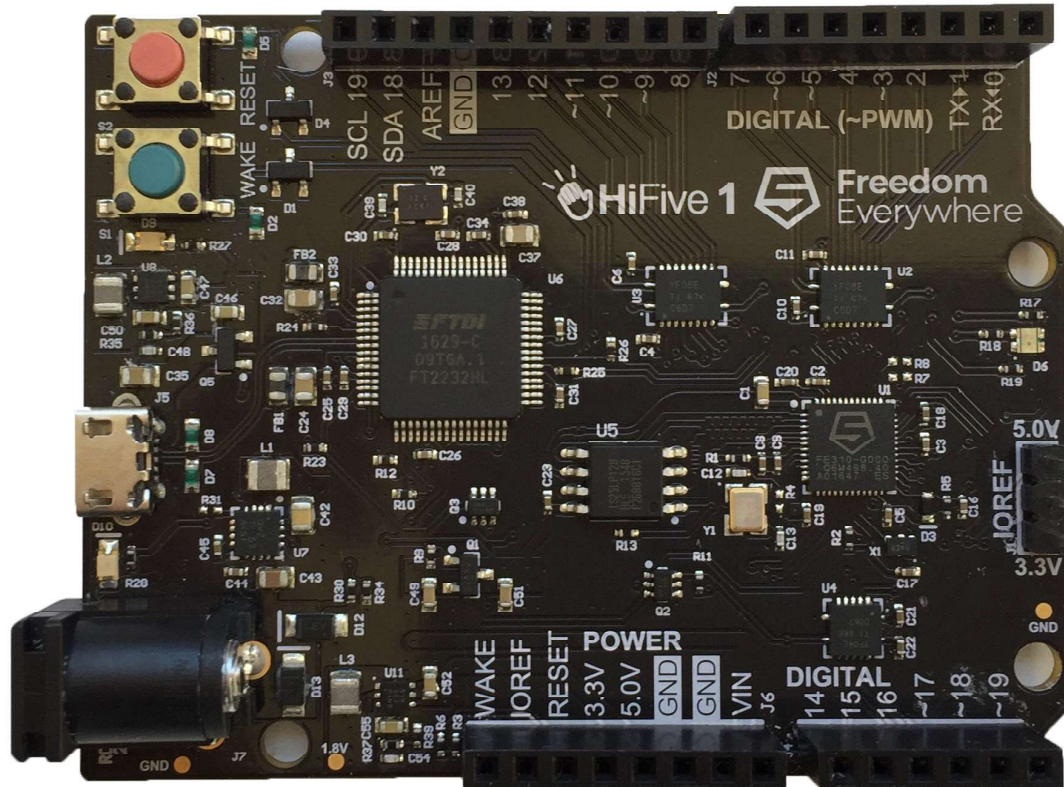
Information in this document is provided "as is," with all faults.

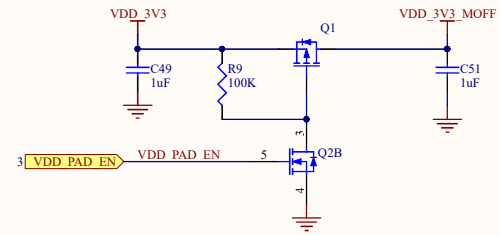
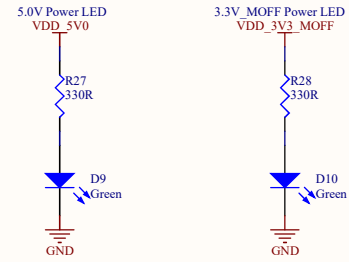
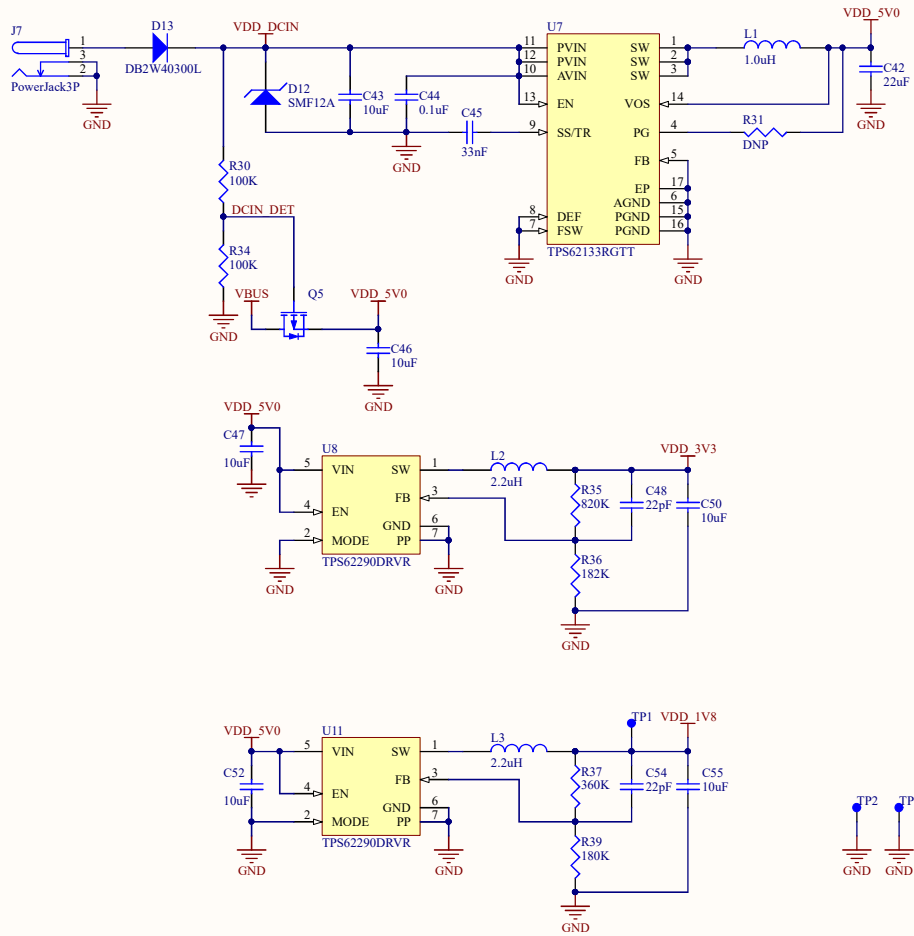
SiFive expressly disclaims all warranties, representations, and conditions of any kind, whether express or implied, including, but not limited to, the implied warranties or conditions of merchantability, fitness for a particular purpose and non-infringement.

SiFive does not assume any liability rising out of the application or use of any product or circuit, and specifically disclaims any and all liability, including without limitation indirect, incidental, special, exemplary, or consequential damages.

SiFive reserves the right to make changes without further notice to any products herein.

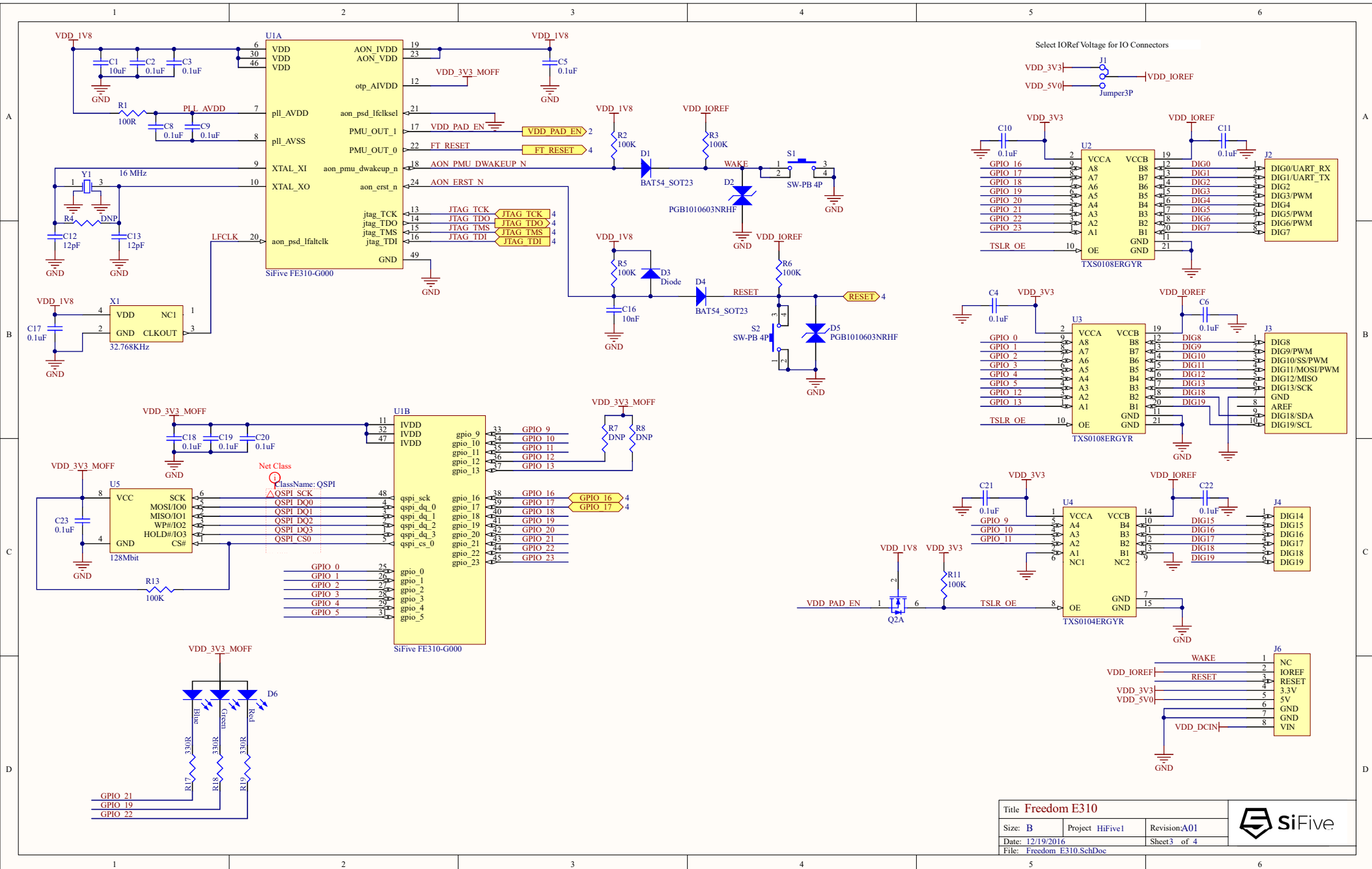
# HiFive 1



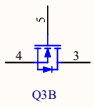
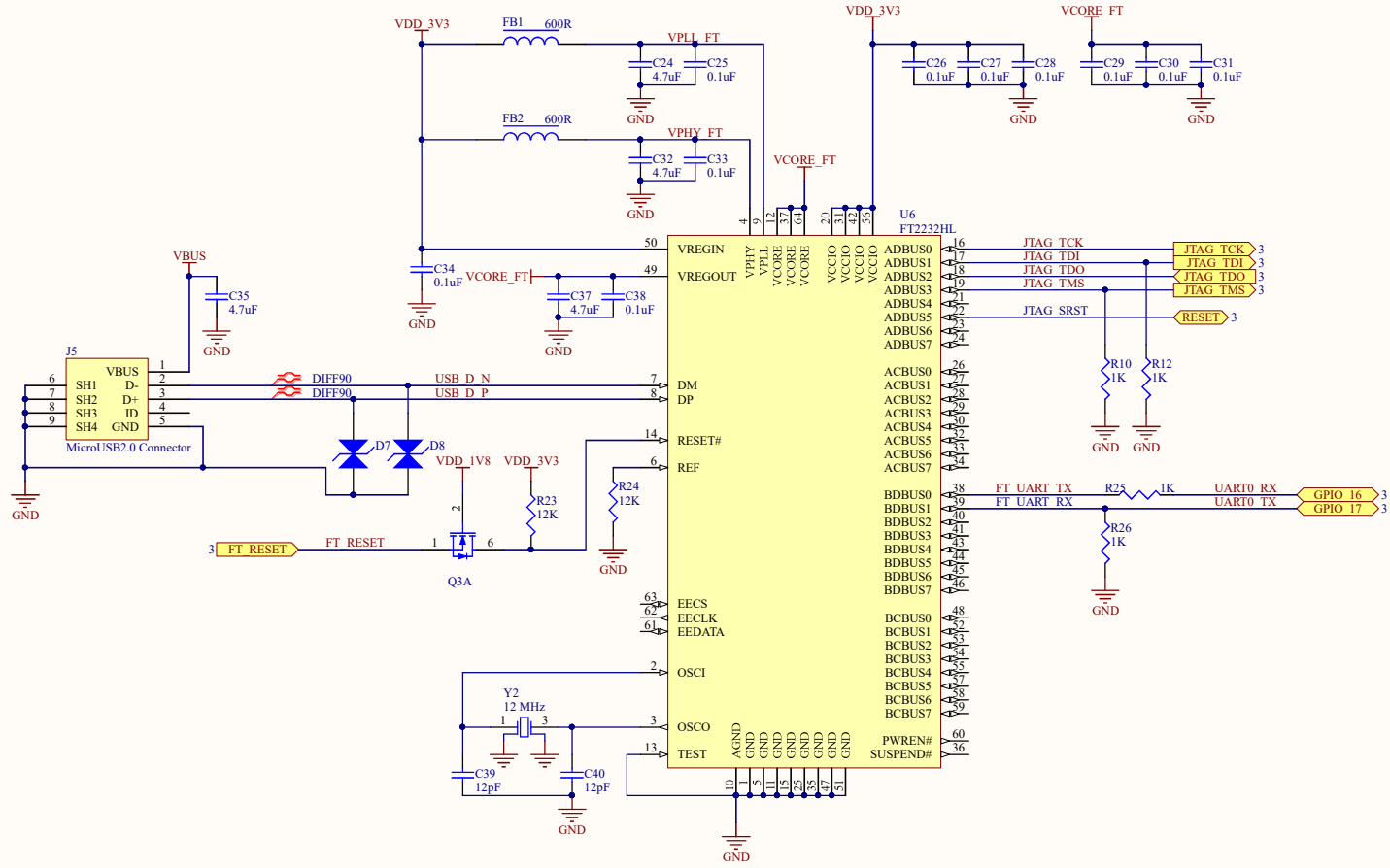


Title <b>Power Supply</b>		
Size: B	Project HiFive1	Revision:A01
Date: 12/19/2016	Sheet2 of 4	
File: Power.SchDoc		





Title Freedom E310			
Size: B	Project HiFive1	Revision: A01	
Date: 12/19/2016	Sheet 3 of 4		
File: Freedom E310.SchDoc			



Title <b>USB to UART and JTAG</b>			
Size: B	Project HiFive1	Revision: A01	
Date: 12/19/2016	Sheet 4 of 4		
File: FT2232_SchDoc			